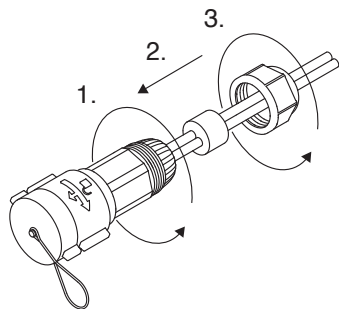
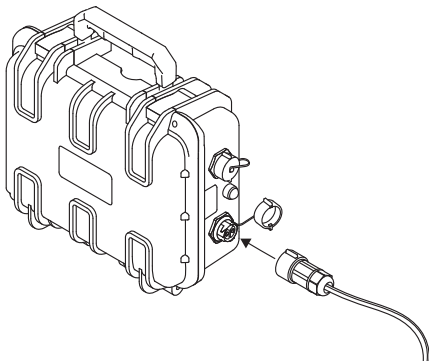


- 5** Screw the plug firmly together.  
The red rubber seal should not be visible.  
Pay attention to the right order!



- 6** Plug into battery.

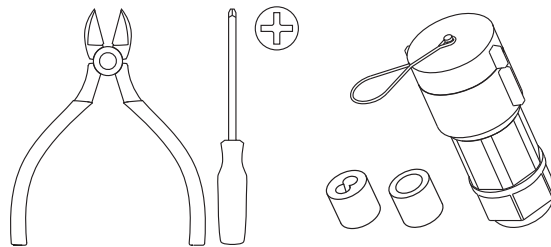


# Manual: How to install the waterproof plug.

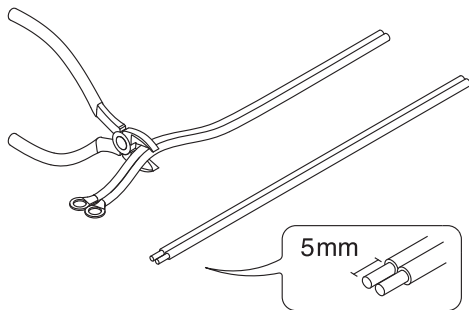
**Compatible with:**  
**MBL Series (MBL36, MBL60, MBL100, MBL8100)**  
**MB Series (MB35, MB55, MB100)**

**Recommended tools:**  
Wirecutter  
Philips PH 1

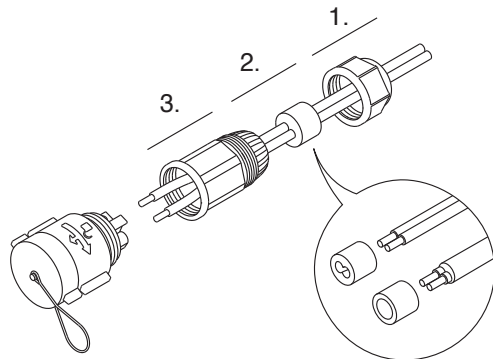
**Box contains:**  
MB Plug  
2x sealing gasket



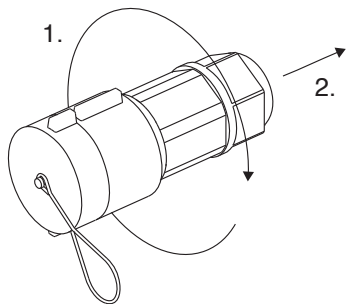
**1** Strip 5mm of your motor cable.



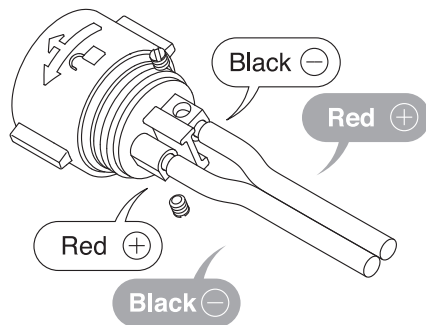
**3** Insert the cable in the right order. Use the fitting sealing gasket.



**2** Unscrew the plug.



**4** Fix the cable. This sign must be on top: 



For the MB Series (MB35, MB55, MB100)